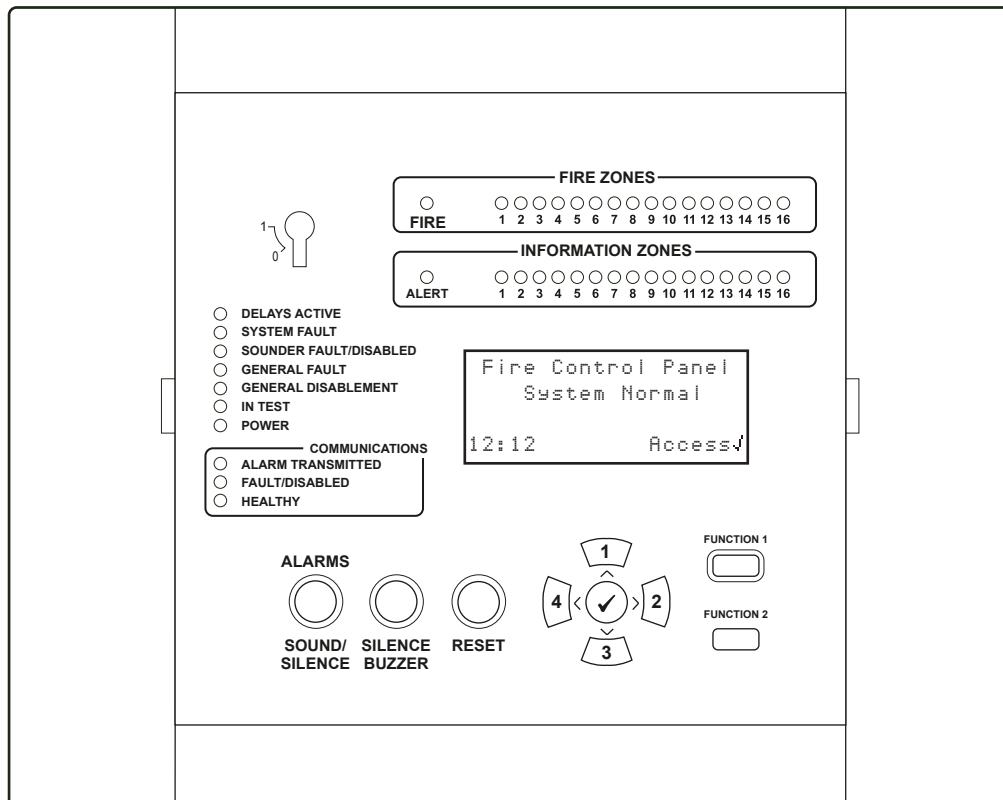


# SmartCell



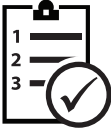
## Wireless Control Panel Installation Guide

Part number	Product description
SC-11-1201-0001-99	Wireless Control Panel (No Comms Module) (230 VAC version)
SC-11-2201-0001-99	Wireless Control Panel (No Comms Module) (24 VDC version)

## 1 Pre installation



The installation must conform to applicable local installation codes and should only be installed by a fully trained competent person.



The procedures outlined in this installation guide must be carefully followed.



The wireless control panel includes components which are susceptible to damage from Electro Static Discharge (ESD). These components could be permanently damaged through routine handling, if precautions are not observed. Where handling is required, adequate earthing precautions should be taken, e.g. use an earthed wrist strap.



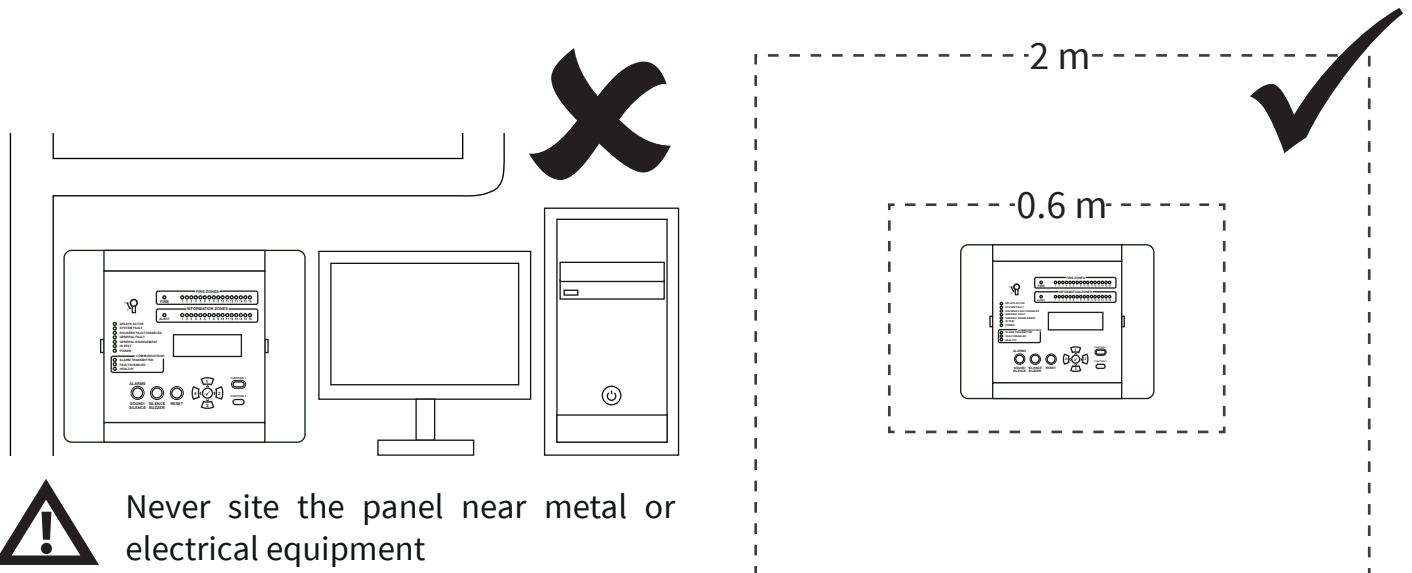
To ensure correct operation, products must be used within the specified environmental operating conditions.

## 2 Mounting location guidelines



For optimum wireless performance, the following must be observed:

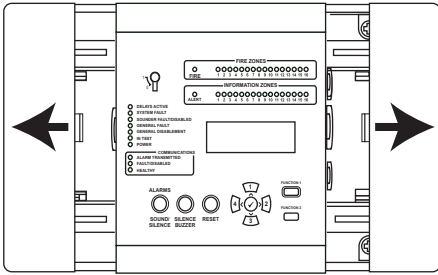
- Ensure the control panel is not installed within 2 m of other wireless or electrical equipment.
- Ensure the control panel is not installed within 0.6 m of metal work.



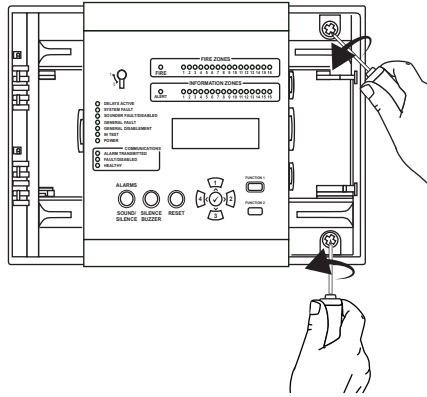
Never site the panel near metal or electrical equipment

### 3 Open control panel

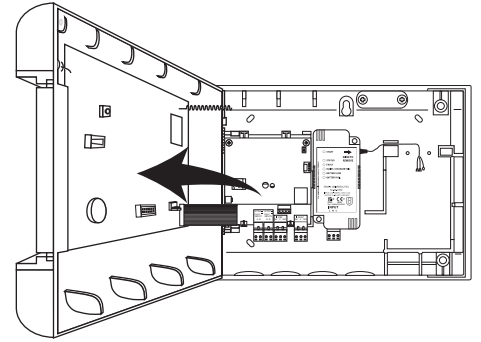
1. Unclip the side panels.



2. Loosen the two screws.



3. Open the door.

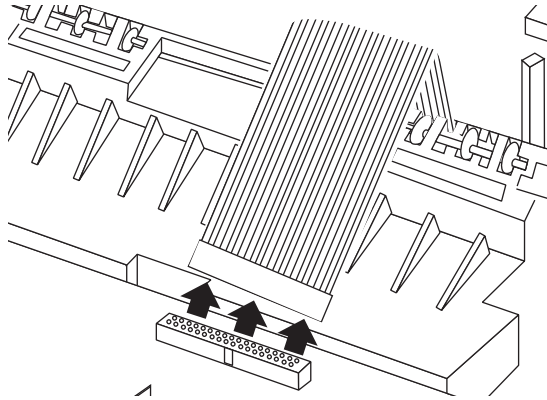


**230 VAC variant shown**

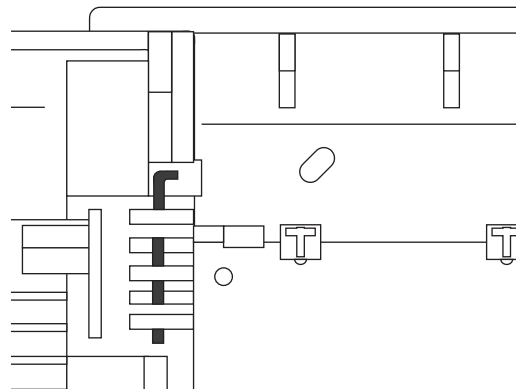
### 4 Optional door removal

- Disconnect the ribbon cable.
- Turn and release the door hinges

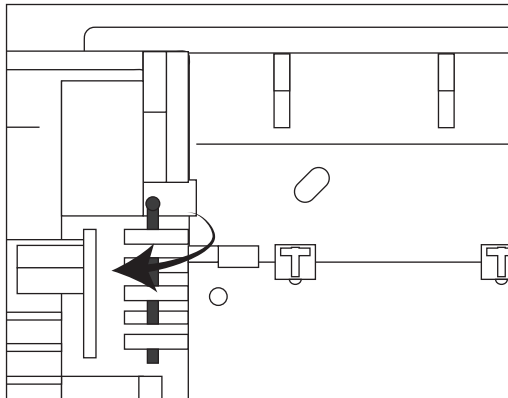
1.



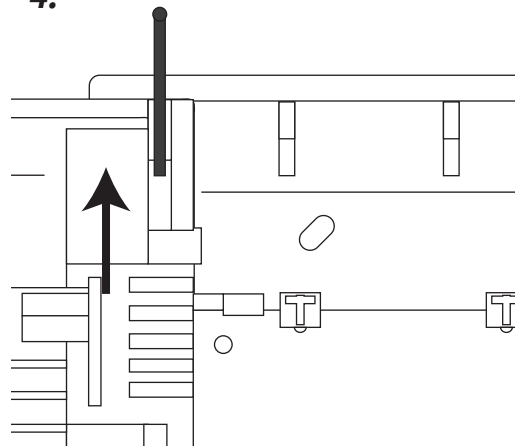
2.



3.



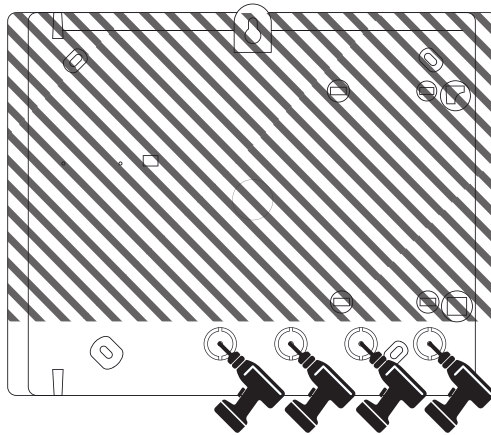
4.




## 5 Remove cable entry points

- Drill the cable entry points as necessary.

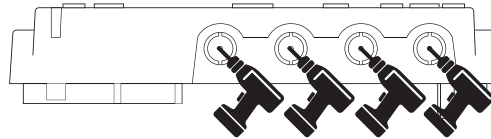
Rear side view



**NO CABLE ACCESS AT THE TOP OF THE UNIT!**

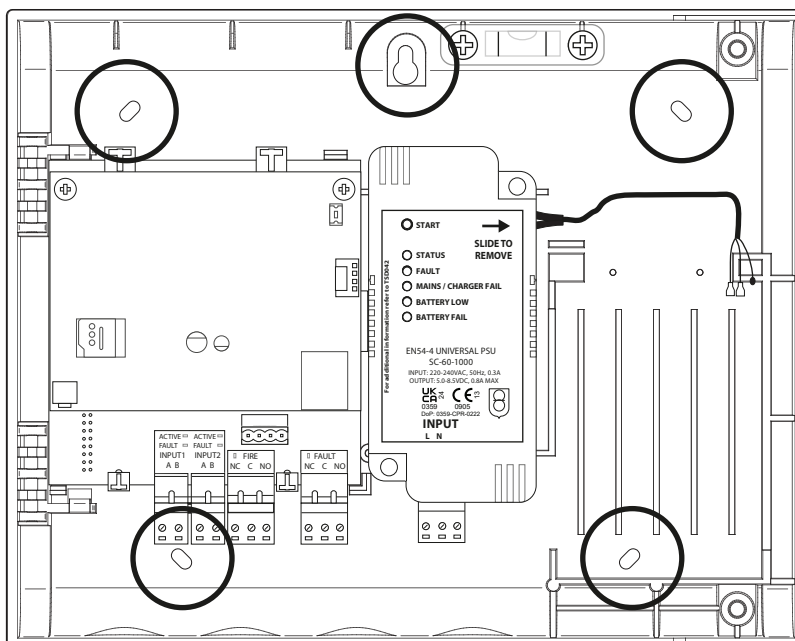
 = Available entry point


Under side view



## 6 Fix to the wall

- All five circled fixing positions are available for use as required.

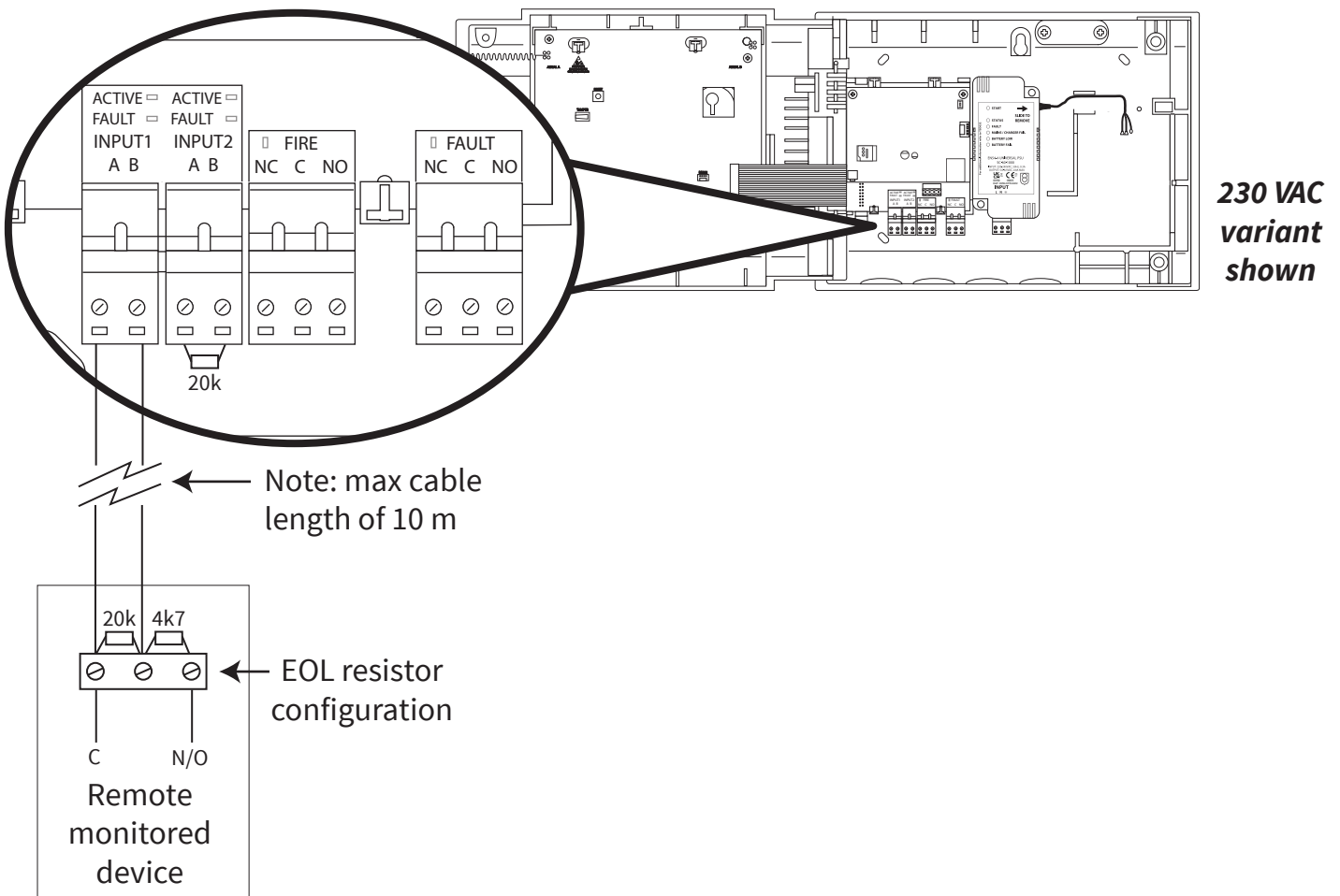


 Note: the supplied back box mounting template can be used to drill the fixing positions, if required.

## 7 Relay Wiring

### INPUT CONNECTIONS

- Two resistor monitored inputs are available (*black connectors*).
- Both inputs monitor; normal, alarm, open circuit and short circuit conditions.
- Each input is factory fitted with an end of line 20 k $\Omega$  resistor.
- To connect inputs to external devices, wire as shown below. I.e. Input 1, using the resistor pack provided.
- If an input is not being used, leave the 20 k $\Omega$  resistor as factory fitted.



### OUTPUT CONNECTIONS (*shown above*)

- Two outputs are also available. One output is for fire (*red connector*) and one output is for fault (*orange connector*).
- Both outputs are voltage free, with a maximum switching capacity of 30 V at 1 A.
- The maximum cable length to connected devices is 10 m.

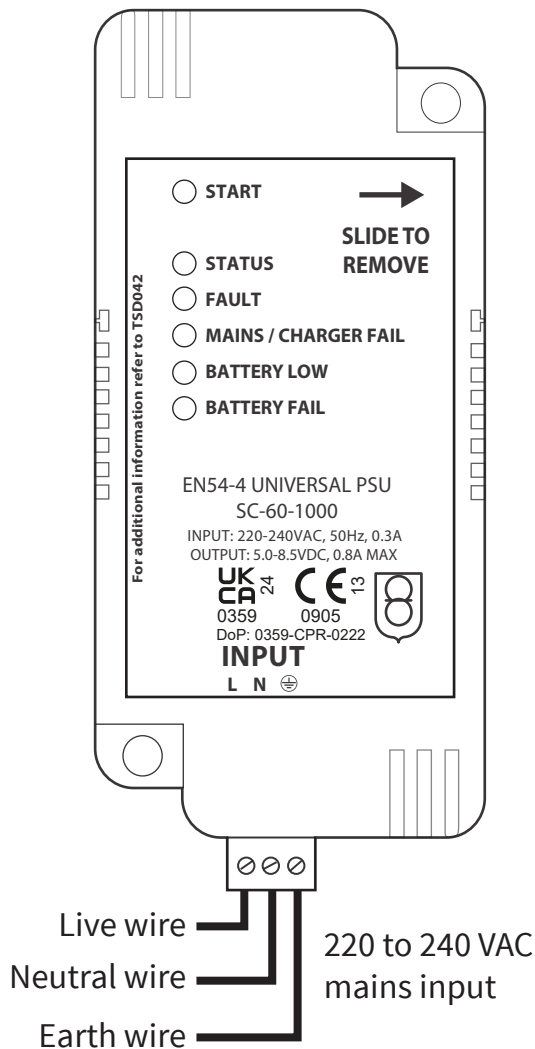


**WARNING. DO NOT CONNECT TO MAINS.**

## 8 Connection wiring (230 VAC version only)

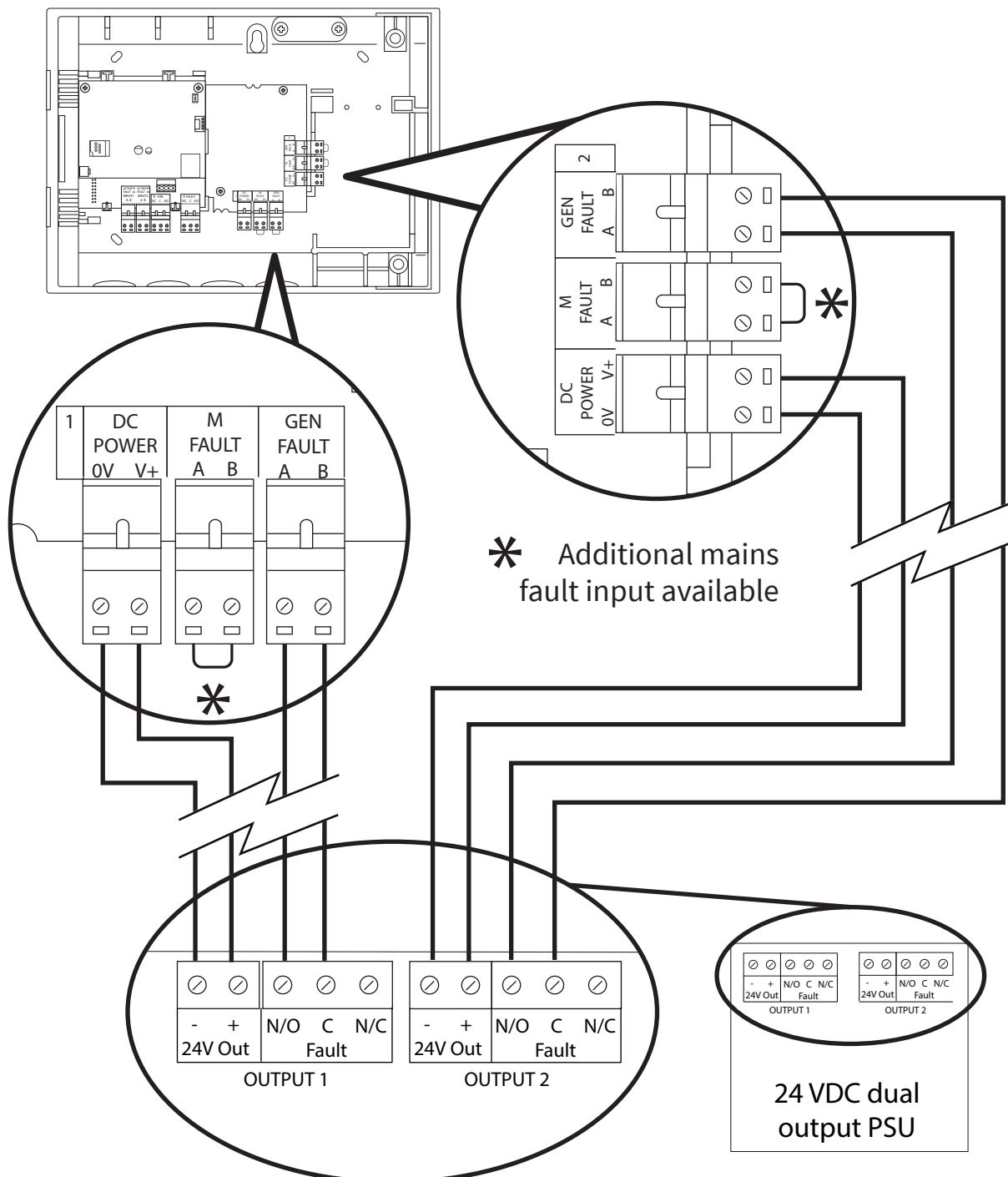
- **SKIP IF INSTALLING A 24 VDC VARIANT.**
- A 220 to 240 VAC supply is required.
- Use cable with a minimum cross section of 1.5 mm<sup>2</sup>
- Connections must be made through a 20 mm cable entry gland, incorporating cable clamp into the wireless control panel.
- An additional 15 mm of cable should be considered for the earth connection to provide extra protection should the live or neutral wires disengage.
- This equipment relies on the building installation for protection and requires a 5 A protection device which should be labelled “Fire Alarm – Do Not Switch”.
- An all-pole mains switch should be provided as part of the building installation.

### Power Supply Unit (PSU)



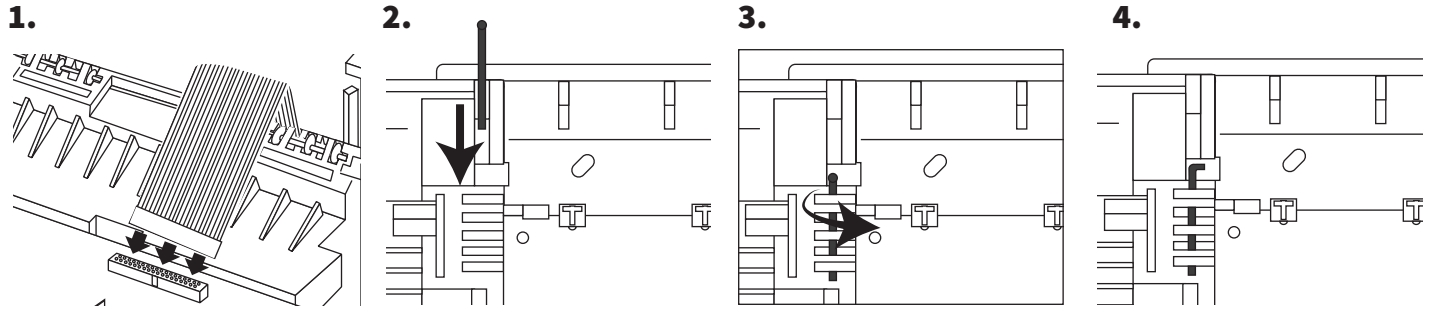
## 8b Connection wiring (24 VDC version only)

- **SKIP IF INSTALLING A 230 VAC VARIANT.**
- Cable glands should be used.
- DO NOT leave excess cable in the control panel.
- Two fault inputs are also available (*black terminal blocks*). They are labelled M Fault (*mains fault*) and Gen Fault (*general / battery fault*).
- If a fault input (*GEN FAULT or M FAULT*) is not being used, leave the link as factory fitted.



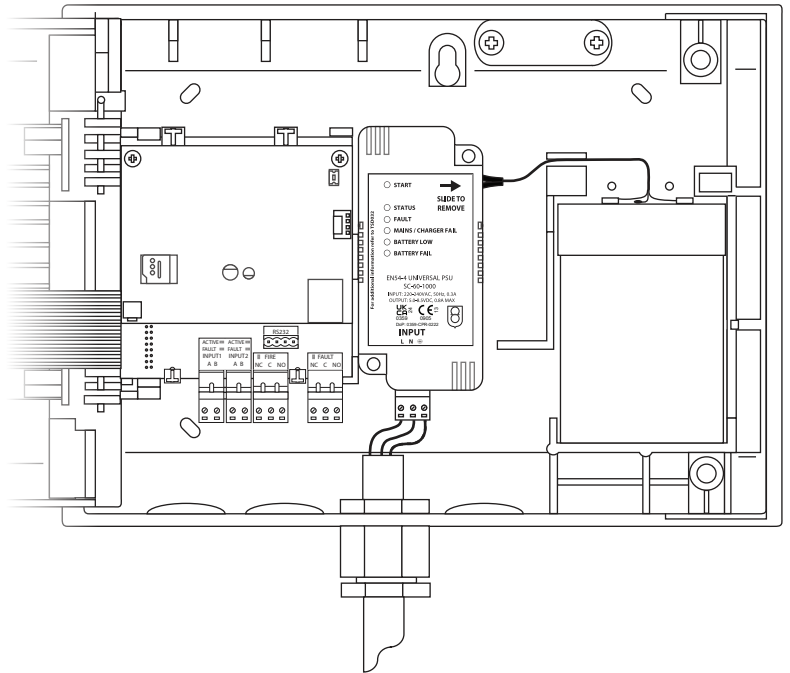
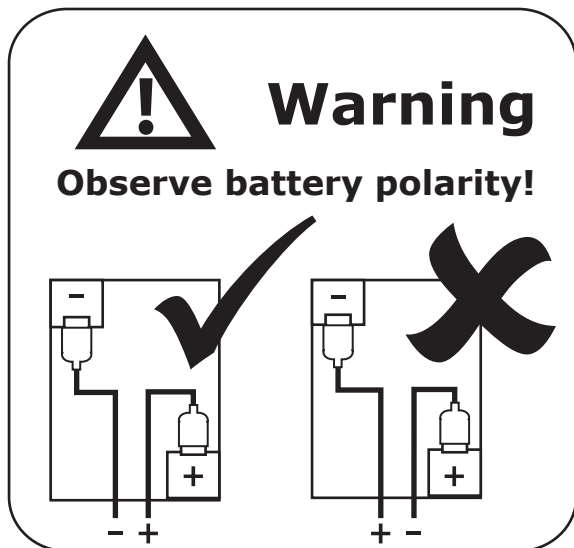
## 9 Refit the door

- Refit the door.
- Ensure the ribbon cable and the doors hinges are securely fitted.



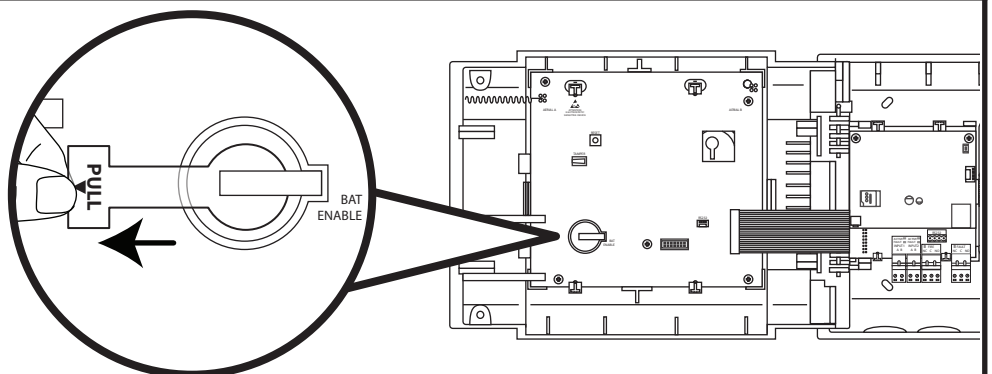
## 10 Fit back-up battery (230 VAC version only)

- Fit the control panel battery, observing the correct polarity.



## 11 Remove 3 V battery tab

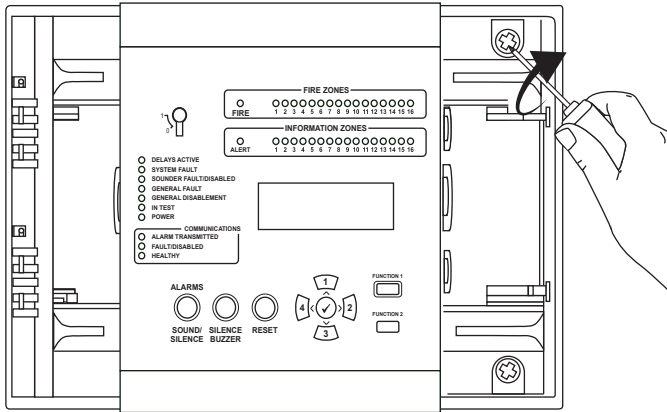
- The 3 V battery tab located on the back of the door must now be removed.



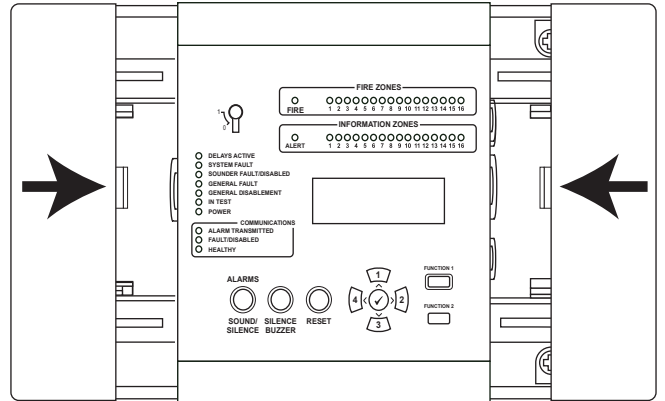
## 12 Close control panel

- Reassemble the control panel.

1.

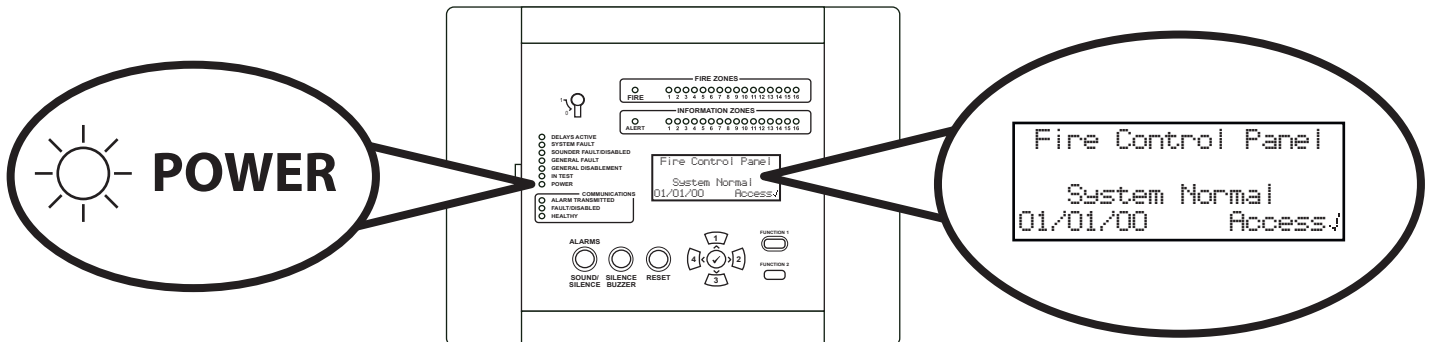


2.



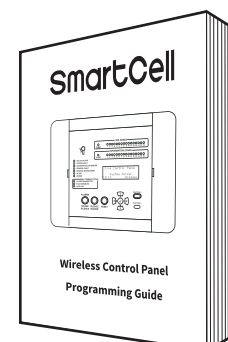
## 13 Apply power

- Apply power to the control panel.
- The green power LED will illuminate.
- All other LEDs should be extinguished.
- The screen should also display 'System Normal'.



## 14 Configuration

- The system can now be programmed.
- Refer to the SmartCell programming manual (*TSD155*) for details of compatible SmartCell devices and full programming information.



## Specification

<b>Operating temperature</b>	-5 to + 45 °C
<b>Storage temperature</b>	0 to + 30 °C
<b>Humidity</b>	95% noncondensing max.
<b>Location</b>	Type A: for indoor use
<b>Power requirements</b>	230 VAC version: 220 to 240 VAC 24 VDC version: 19.2 to 28.8 VDC
<b>Min/max electrical ratings</b>	230 VAC version: 220 to 240 VAC, 50 Hz, 0.3 A 24 VDC version: N/A
<b>Input / output fuse ratings</b>	230 VAC version: Input - 3.15 A ( <i>non replaceable</i> ) Output - 300 mA & 750 mA ( <i>resettable</i> ) 24 VDC version: F1 - 60 V 1.2 A ( <i>resettable</i> ) F2 - 60 V 1.2 A ( <i>resettable</i> )
<b>Operating current</b>	24 VDC version: 0.035 A ( <i>quiescent and alarm current</i> )
<b>Battery backup</b>	230 VAC version: 1 x 6V 4 Ah Yuasa NP4-6 24 VDC version: N/A
<i>For information on routine battery changes, refer to the SmartCell Maintenance Guide (MK298)</i>	
<b>Battery standby time</b>	230 VAC version: 48 hours 24 VDC version: N/A
<b>Maximum battery internal resistance</b>	230 VAC version: 0.7 Ohms 24 VDC version: N/A
<b>Max current drawn from the battery by the PSE with mains disconnected</b>	230 VAC version: 5 mA ( <i>PSU</i> ), plus 100 mA from control panel 24 VDC version: N/A
<b>RTC &amp; event log battery backup</b>	1 x 3 V lithium manganese dioxide coin cell battery. <i>Varta: CR2032 (6032101501)</i> <i>Murata: CR2032</i>
<b>Fire/fault relay ratings</b>	1 A at 30 VDC
<b>Maximum USB flash drive</b>	128 GB, FAT32
<b>IP rating</b>	IP30
<b>Operating frequency</b>	868 to 870 MHz
<b>Output transmitter power</b>	14 dBm max. / 25 mW
<b>Signalling protocol</b>	X5
<b>Maximum cable lengths</b>	Inputs 1, Input 2 & RS232 = 30 m GSM/GPRS = 3 m. Ethernet = 30 m
<b>Dimensions (W x H x D)</b>	275 x 220 x 80 mm

## Regulatory information

### Manufacturer

KGS Manufacturing Poland Sp. z o.o.  
Ul. Kolejowa 24. 39-100 Ropczyce, Poland

### Year of manufacture

See devices serial number label

### Certification



### CPR DoP

0359-CPR-00272

### Approved to

EN54-2:1997+A1:2006. Incorporating corrigenda January 2007 and July 2009. Fire detection and fire alarms systems. Part 2: control and indicating equipment.

EN54-4:1998. Incorporating amendments nos. 1 and 2. Fire detection and fire alarm systems. Part 4: power supply equipment.

EN54-13:2005. Fire detection and fire alarm systems. Part 13: compatibility assessment of system components.

EN54-25:2008. Incorporating corrigenda September 2010 and March 2012. Fire detection and fire alarm systems. Part 25: components using radio links.

### European Union directives

EMS declares that this device is in compliance with Directive 2014/53/EU. The full text of the EU declaration of conformity is available at the following internet address: [www.mysmartcell.com](http://www.mysmartcell.com)



2012/19/EU (*WEEE directive*): Products marked with this symbol cannot be disposed of as unsorted municipal waste in the European Union. For proper recycling, return this product to your local supplier upon purchase of equivalent new equipment, or dispose of it at designated collection points. For more information see [www.recyclethis.info](http://www.recyclethis.info)

Dispose of your batteries in an environmentally friendly manner according to your local regulations.

# SmartCell

[www.mysmartcell.com](http://www.mysmartcell.com)