

Fyreye MkII Addressable Heat Detectors

(MKII-AHF, MKII-AHF/CS90, MKII-AHR)



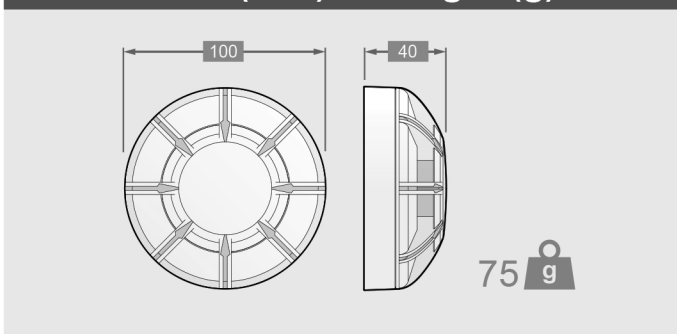
Description

The Fyreye MKII Rate of Rise heat detector (MKII-AHR) uses a thermistor arrangement to sense a quick rise in temperature and also a final threshold temperature of 57°C. The Fyreye fixed heat detector (MKII-AHF) has a single thermistor arrangement that gives an alarm at a temperature of 57°C, where the MKII-AHF/CS90 gives an alarm above 86°C.

Features

- ✓ Designed to meet EN54 requirement
- ✓ Lockable to base to stop unauthorised removal
- ✓ Remote LED output
- ✓ 8 LEDs for improved, 360° visibility
- ✓ Compatible with all Fyreye MkII bases
- ✓ Addressed with dip switches or hand-held programmer

Dimensions (mm) & Weight (g)



Technical Specification

Model	MKII-AHF	MKII-AHF/B	MKII-AHF/CS90	MKII-AHF/CS90/B	MKII-AHR	MKII-AHR/B
Part No.	80-214	80-214/B	80-218	80-218/B	80-212	80-212/B
Detector Class	Fixed Heat Only A2S		Fixed Heat Only CS		Rate of Rise & Fixed Heat Detector A1R	
Design Standard	EN54 part 5		EN54 part 5		EN54 part 5	
Approval	LPCB					
Operating Voltage	17 to 28V DC					
Quiescent Current	500µA					
Alarm Current @ 24Vdc	5mA					
Operating Temp. (°C)	-10 to +50°C		-10 to +80°C		-10 to +50°C	
Min. Continuous Temp.	0°C					
Max. Humidity	95% RH non-condensing					
Alarm Condition	Fixed heat trigger @ 57°C		Fixed heat trigger @ 90°C		Rate of rise or fixed heat trigger @ 57°C	
Coverage	50m ²		50m ²		50m ²	
IP Rating	IP43					
Start-up Time	10 Seconds					
Size (with Base)	100 x 49 mm		100 x 49 mm		100 x 49 mm	
Weight (with Base)	75g (133g)					
Remote Output	5mA at 24VDC					