

Button-Guard+

A unique range of buttons and switches that are fully protected,
the range that you can count on.

Emergency Push Buttons



Key attributes:

- Surface Mount (not retrofit)
- Weatherproof
- Break-Seal Mounting Area
- High Impact Protection (from both front & side)
- UV Stabilised (prolongs life from UV rays)
- Manufactured in Robust Polycarbonate
- Flexible wording options ('Apply Yourself' labels)

Why use Button-Guard+ ?

The new 'All in One' protective enclosure specifically designed to give the added protection to vulnerable range of buttons and switches that is ultimately need.

Lead the fight back against environmental failure, accidental activation, vandalism or unnecessary damage.

These everyday issues can be a crippling cost to any business and potentially unrecoverable. Prevent downtime, eliminate false shutdowns, evacuations, but help save and protect your business and your life

Button-Guard+ allows you the flexibility when choosing the button or switch you require, it then provides the ultimate protection it needs, from the environment and or from unwanted activations.

Simply choose from a extensive range of:

- Emergency push buttons,
- Standard push buttons,
- Selector switches,
- Key switches,
- Industrial ON/OFF buttons,

Then allow the Button-Guard+ to be your best line of defence

Strength & Durability

The **Button-Guard+** is small, incredibly strong and robust, its construction helps protect from hard hitting impacts from the front or from the side and also defends against 2 problematic everyday issues. Firstly protecting the covering product from the ingress of water and dust especially when the installation is within a harsh / industrial environment and secondly to defend the covering product against accidental activation or even targeted misuse.

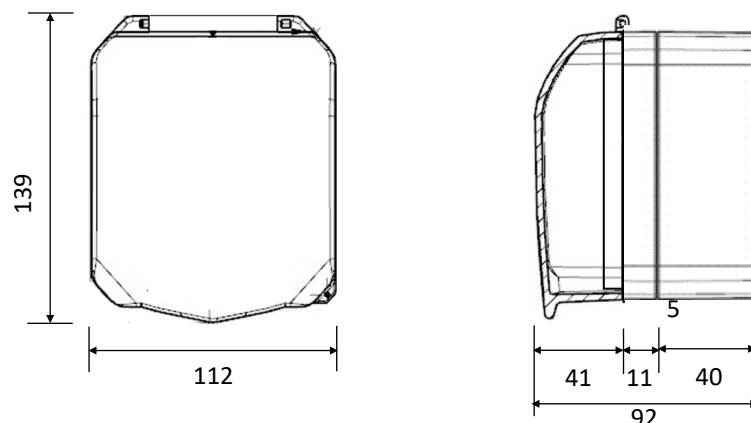
UV Stabilisation

Manufacture in UV stabilised polycarbonate it will become your first line of defence, having the ability to protect against extreme environmental conditions, hard hitting impacts from the front or from the side.

Application areas:

Industrial Application Areas, Outdoors Areas, Washdown Areas, Sauna's and Pool Areas etc.....

Product Dimensions in MM's



- For further colour options and ordering codes (see over)

Generally there are 3 common types of these buttons:



- **Push & Twist to Release**

The button latches in the active position when pushed and is reset by a twist and release operation

- **Push & Pull to Release**

The button latches in the active position when pushed and is reset by pulling the button back out to its original position

- **Push & Turn Key to Release**

The button latches in the active position when pushed and is reset by inserting the required key and turning, the button will then return to its original position.



Product Code:

Description:

BG-EM-T-O-2-O

Button Guard+ with Emergency Push Button, Twist To Reset, N.O. & NC. contact

BG-EM-P-O-2-O

Button Guard+ with Emergency Push Button, Pull To Reset, N.O. & NC. contact

BG-EM-K-O-2-O

Button Guard+ with Emergency Push Button, Key To Reset, N.O. & NC contact

Specifications:

Rated Insulation Voltage	UI: 660V					
Terminal Current	Ith: 10A					
Rated Voltage	24V	48V	110V	220V	380V	500V
Direct Current	10A	5A	2.2A	1.1A		
Alternating Current P.F=0.7			10A	6A	4A	2A

Operating Temperature	-25°C - +55°C(no freezing)	
Operating Humidity	45 - 85%RH(no condensation)	
Contact Material	- silver - silver alloy - gold-clad silver, cladding thickness is 3 μ m	
Contact Resistance	≤50mΩ	
Insulation Resistance	≥100MΩ	
Dielectric Strength	3000 V,AC50Hz	
Vibration Resistance	50Hz,Amplitude 1.0mm p-p	
Shock Resistance	≥10g	
Life	Mechanical	Momentary type: ≥1,000,000 times. Alternate type, selector type: ≥500,000times. Key-lock type, emergency type: ≥200,000 times.
	Electrical	≥50,000 times
Terminal	Thread connection, diameter of welded wire: 2 × 1.5mm max Connecting link: 6.3 × 0.8mm	
Operation	Operating Force: 800gf - 2200gf (according to the quantity of switch units) Operating Travel: About 5.5mm(Pushbuttons)	

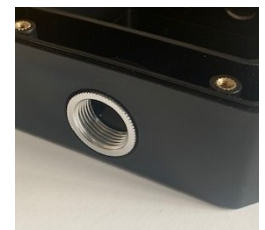
Ultra Guard+ Operation Label



Each protective Ultra Guard+ enclosure comes complete with an fully instructive, translucent operation label.

Easy to follow in case of an emergency or if legitimate activation is required

20mm Threaded Inserts



The rear back section has 20mm entry points on both the top and the bottom surfaces, giving you the ability to rotate the back box depending on the installation circumstances.

NOTE: To uphold the weatherproof integrity of the product please ensure that suitable IP rated connectors are fitted when installing.

Additional Security Option—Break seal Facility

Break seal mounting holes are positioned on the lower right hand corner of the cover and the central coloured chassis., apply an 'easy break' break-seal through the hole to give addition security or deter unwanted tampering

Ultra-Guard+ Accessories:

UG-BS-10 Ultra-Guard Replacement Break-seals, Pack of 10

