

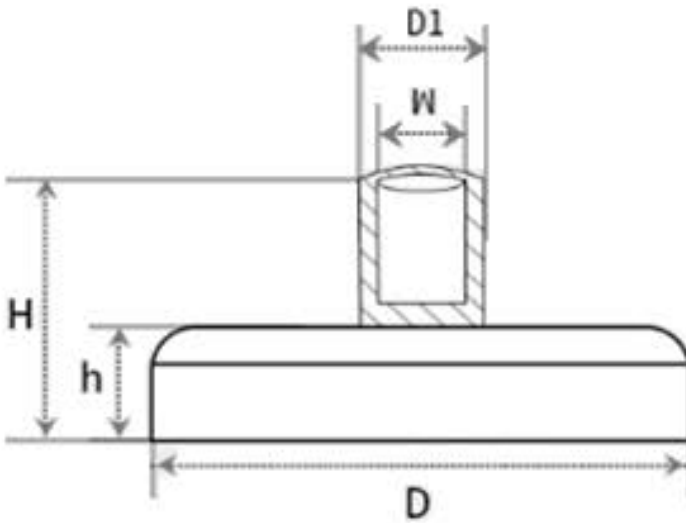
HAY-MAG-STAND

Magnetic PCB Standoffs

- Designed to fit M3 PCB holes
- Screws and washers included
- Material: Neodymium magnet



- Dimensions



D (mm)	D1 (mm)	W (mm)	H (mm)	H1 (mm)	Weight (kg)
12	6	3	12.5	5	3.5

