

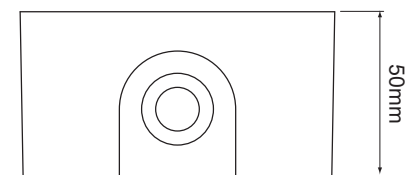
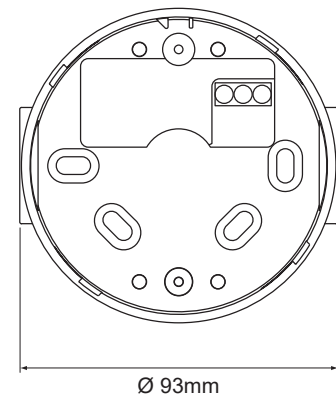
Powered Base

The powered deep base incorporates a small 24Vdc supply that allows any of the compatible Cooper Fullcon sounders and beacons to be operated from 110 or 230Vac supplies. This allows the installer much greater flexibility in the use of products and their applications.



Technical Specification

Voltage	110Vac - 230Vac (50/60Hz)
Output	100mA @ 24Vdc
Temperature	- 10°C to + 55°C
Protection	IP65
Construction	ABS
Weight	0.1Kg
Colours	Red or white
Compatible Products	RoLP, Flashni, Solex 3/10, RoLP Solista, Solista Maxi



Features

- z Wide input voltage
- z Many compatible products
- z Red or white finish
- z Surface fixing or conduct box mounting

Benefits

- z Suits most AC mains supply without adjustment
- z Provides 24V products with extra flexibility
- z Matches product finish
- z Compatible with most wiring systems

Reference

U Base Red
 Deep Base Red
 Deep Base White
 Shallow Base Red
 Powered Deep Base Red
 Powered Deep Base White

Catalogue No.

590020FULL-0094
 593001FUL-0022
 593002FULL-0017
 593005FULL-0027
 631201FUL-0109
 631202FUL-0117

Description

U Red Base + Locking Screw
 Deep Red Base + Locking Screw
 Deep White Base + Locking Screw
 Shallow Red Base + Locking Screw
 Deep Base Red, with 110-230Vac to 24Vdc, Supply Mod
 Deep Base White, with 110-230Vac to 24Vdc, Supply Mod